



 **WEXXAR BEL®**

WF20T

FULLY AUTOMATIC TAPE SEALING CASE FORMER

R&E

**ROBOTICS &
END OF LINE**

WF20T

FULLY AUTOMATIC TAPE SEALING CASE FORMER

WF20T WEXXAR'S INTUITIVE SMART EXPERIENCE

Wexxar's WISE System provides user-centric features which allows for easy machine operation, maintenance and troubleshooting.

Industry Leading Reliable Automatic Case Forming

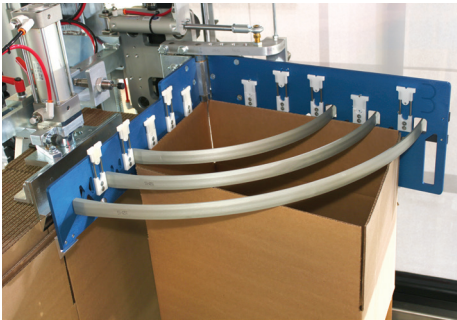
The WF20T fully automatic case former introduces a new level of refinement and performance and raises the standards for ease of use, case forming quality and reliability.

The WF20T features Wexxar Bel's patented Pin & Dome* system ensures reliable and square case forming throughout the entire process. The machine is in full control of the case at all times, using positive force for all folding functions, ensuring cases are square and easily handling common imperfections found in corrugated boxes. This makes the WF20T perfect for applications with lighter or recycled corrugated.



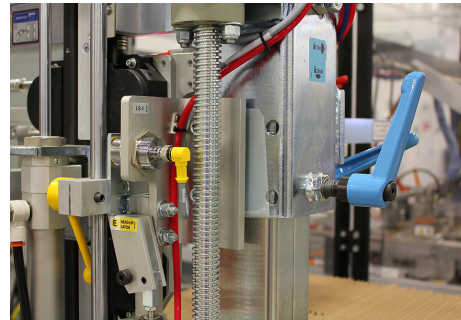
*US. Patent No 7,766,808 & 7,422,552

ABOUT WF20T



RELIABLE AND REPEATABLE PERFORMANCE

Wexxar's patented Pin & Dome technology mechanically captures and positively squares each case with precision and reliability unmatched by any other system.



EASY MACHINE SETUP AND CASE SIZE CHANGE

User-friendly pictorial guides and tool-less color coded labels and handles for convenient setup and size changes.



CONVENIENT TAPE ROLL CHANGE

Minimize downtime with easy accessed bottom tape head for quick size change. (exclusive to Dekka tape head)

COMPLETE SOLUTION

FULLY AUTOMATE YOUR PACKAGING LINE WITH THESE FORMING AND PACKING SOLUTIONS.



BEL 252 CASE SEALER

Fully automatic top and bottom tape case sealer provides an effective and reliable solution for both manual and automatic packaging lines.



PRODUCT AND CASE DELIVERY CONVEYORS

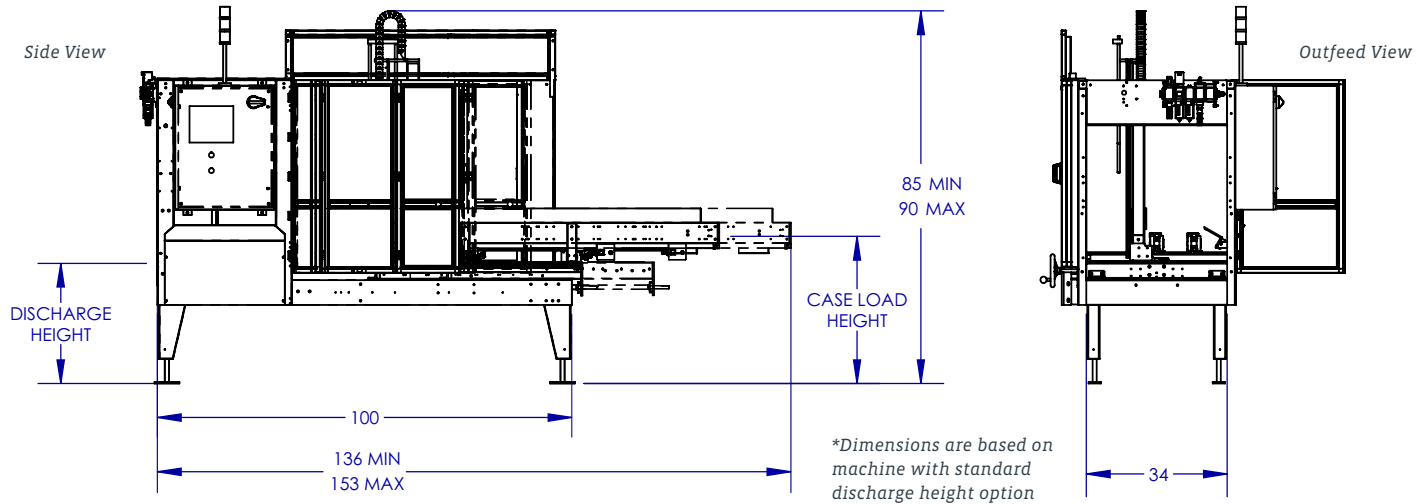
Case and product delivery conveyors can be customized and interfaced with Wexxar Bel automatic case erectors and sealers to create optimized form, pack and seal packaging lines.



WRC CONVEYOR

The WRC case settling conveyor allows for over packing by providing an efficient and effective solution to both transport and settle product simultaneously.

CONFIGURATION



STANDARD FEATURES

- Pin & Dome case opening technology for an ultra-reliable, ultra-square case opening
- User-friendly touch screen to control and monitor the machine
- Tilt-out tape head for quick and easy tape roll changes
- Fully interlocked guard doors allow easy and safe machine access during set-up and maintenance
- Tool-less, color coded size changeover in under 7 minutes with user-friendly on machine pictorial guides

OPTIONAL MODIFICATIONS

- Modifications for undersized or oversized cases
- Enviroguard washdown options available
- Additional guarding packages
- Gap Flap or other case style modifications
- Custom voltages

OPTIONAL ACCESSORIES

- Machine Management with tri-light beacon for case jam and tape monitoring
- Machine Leg Casters
- Digital Dial Indicators for easy size change
- External Interface Port with power outlet
- Auxiliary Start/Stop/E-Stop Panel

PRODUCT SPECIFICATIONS

Machine Weight	1500 lbs
Machine Dimensions	156"(L) x 49"(W) x 80"(H) at maximum case size adjustment
Air	20 SCFM; 1.02 cu. ft. per cycle at 90 p.s.i.
Electrical	240 Volts, 1 PH, 60 Hz - 4 amp draw
Speeds	Up to 20 cases per minute

Specifications are subject to change without notice.
 *Expanded range may require tools or change parts. Certain combinations of length, width, and height may require optional modifications. Contact your representative with your exact case specifications.

CASE SIZE RANGE

Standard Range	LENGTH	WIDTH	HEIGHT
Minimum	7 1/4" 184 mm	7 1/4" 184 mm	6" 150 mm
Maximum	18" 457 mm	14" 356 mm	15" 381 mm

Under and Oversized model available.

Expanded Range	LENGTH	WIDTH	HEIGHT
Minimum	6" 150 mm	5" 127 mm	5" 127 mm
Maximum	24" 610 mm	17" 432 mm	16" 407 mm



At Wexxar Bel, corrugated container packaging applications are limited only by the imagination. Our Wexxar case formers and case sealers have been installed in nearly 40 countries and consistently bring customers the lowest cost of ownership and the highest standards of safety. Wexxar also offers the BEL line of corrugated box sealers, tapers, and packing systems as well as the IPAK line of tray and bliss formers, stackers, and sealers systems. As part of the ProMach End of Line business line, Wexxar helps our packaging customers protect and grow the reputation and trust of their consumers. ProMach is performance, and the proof is in every package.

13471 Vulcan Way
Richmond, BC V6V 1K4
Canada

E: Wexxar@ProMachBuilt.com
Wexxar.com

P: (604) 930-9300
F: (604) 930-9368