



*US. Patent No 7,828,708

 **WEXXAR BEL**

WF10

FULLY AUTOMATIC OMNI-HANDED CASE FORMER

EoL

**END OF
LINE**

WF10

FULLY AUTOMATIC OMNI-HANDED CASE FORMER

WF10 WEXXAR'S INTUITIVE SMART EXPERIENCE

Wexxar's WISE System provides user-centric features which allows for easy machine operation, maintenance and troubleshooting.

Omni-Handed Case Forming for Production Versatility

The WF10 fully automatic case former and erector is the entry level offering in the WF series. The omni-handed feature provides flexibility for co-packers or for any other facilities that require both left-handed and right-handed case packing. Unlike most entry level case formers, the WF10 utilizes dynamic flap folding for positive and precise flap folding, forming perfect cases every time.

In addition to Wexxar Bel's patented Pin & Dome system also found on other WF machines, the WF10 is equipped with servo drive technology, allowing full control of the forming head and case delivery for a more consistent seal. The WF10 also has significantly lower air consumption, providing energy and cost savings in an eco-friendly operation.



*US. Patent No 7,828,708

ABOUT WF10



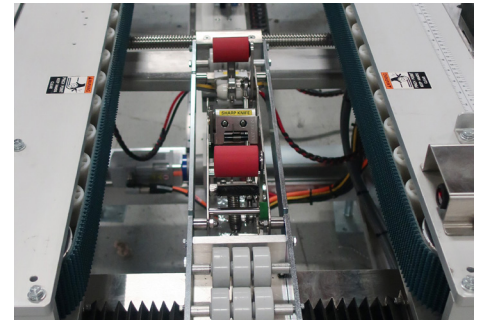
RELIABLE AND REPEATABLE PERFORMANCE

Wexxar's patented Pin & Dome technology mechanically captures and positively squares each case with precision and reliability unmatched by any other system.



EASY MACHINE SETUP AND CASE SIZE CHANGE

On-machine pictorial guides, color coded size handles, and graphical user interface with self-adjusting cushioning cylinders for easy machine operation.



CONVENIENT TAPE ROLL CHANGE

Minimize downtime with easily accessible bottom tape head for quick size change. (exclusive to DEKKA Tape heads)

COMPLETE SOLUTION

FULLY AUTOMATE YOUR PACKAGING LINE WITH THESE FORMING AND PACKING SOLUTIONS.



BEL 252 CASE SEALER

Fully automatic top and bottom tape case sealer provides an effective and reliable solution for both manual and automatic packaging lines.



FLEX E PACK

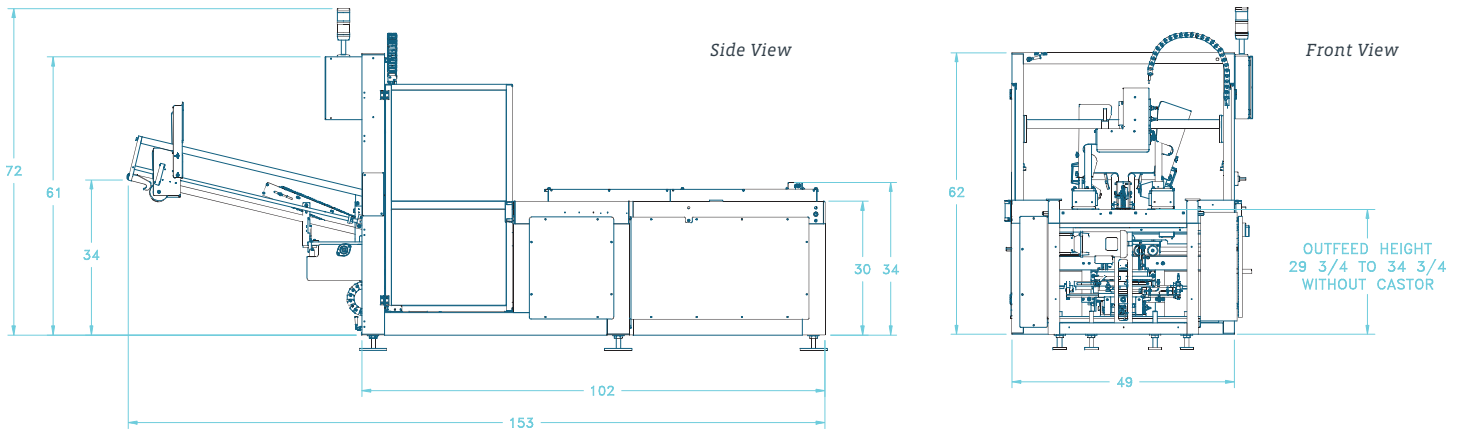
Wexxar automatic case formers can be combined with product delivery conveyors and case delivery packing stations to create a complete form, pack and seal system.



PRODUCT ACCUMULATION TABLES

Wide range of accumulation styles and sizes are offered for easy product delivery to the operator.

CONFIGURATION



STANDARD FEATURES

- Patented Pin & Dome technology with servo drive systems delivers industry leading control and reliability for case forming
- Omni-handed design to form both left and right-handed cases
- User-friendly touch screen to control and monitor the machine
- Fully interlocked guard doors allow easy and safe machine access during set-up and maintenance
- Tool-less, color-coded size changeover with user-friendly machine pictorial guides
- High capacity case feed magazine
- Unmanned operation – remote demand control and box call modes

OPTIONAL MODIFICATIONS

- Custom voltages

OPTIONAL ACCESSORIES

- NEMA 4X controls
- 208V or 480V power
- Tape Management
- Digital dial indicators

PRODUCT SPECIFICATIONS

Machine Weight	1850 lbs
Machine Dimensions	150"(L) x 106"(W) x 62"(H)
Air	2.94 SCFM; 0.29 cu. ft. per cycle at 80 p.s.i.
Electrical	240 Volts, 1 PH, 60 Hz – 9.2 Amp draw
Speeds	Up to 10 cases per minute

Specifications are subject to change without notice.

CASE SIZE RANGE

Standard Range	LENGTH	WIDTH	HEIGHT
Minimum	9" 228 mm	7" 177 mm	5" 127 mm
Maximum	20" 508 mm	15" 381 mm	15" 381 mm



At Wexxar Bel, corrugated container packaging applications are limited only by the imagination. Our Wexxar case formers and case sealers have been installed in nearly 40 countries and consistently bring customers the lowest cost of ownership and the highest standards of safety. Wexxar also offers the BEL line of corrugated box sealers, tapers, and packing systems as well as the IPAK line of tray and bliss formers, stackers, and sealers systems. As part of the ProMach End of Line business line, Wexxar helps our packaging customers protect and grow the reputation and trust of their consumers. ProMach is performance, and the proof is in every package.

13471 Vulcan Way
Richmond, BC V5P 2A2
Canada

E: Wexxar@ProMachBuilt.com
Wexxar.com

P: (604) 930-9300
F: (604) 930-9368