



\*picture shown with optional  
infeed & outfeed table and casters

 **WEXXAR BEL®**

**BEL 180**

**SEMI-AUTOMATIC, TOP AND BOTTOM**

**RANDOM AND UNIFORM CASE TAPE SEALER**

**EoL**

**END OF  
LINE**

# BEL 180

SEMI-AUTOMATIC, TOP AND BOTTOM  
RANDOM AND UNIFORM CASE TAPE SEALER

## BEL 180 FLEXIBILITY OR EFFICIENCY ON DEMAND

The BEL 180 can be set to random or semi-automatic depending on the changing demands of your packaging line.

## Adaptive Case Sealing for Uniform or Random Case Sizes

The BEL 180 is a semi-automatic, random and uniform tape case sealer. The machine is able to adjust to the width and height of the inserted case and features locking movements for safety in case of sudden air loss. The BEL 180's ability to lock into position with the push of a button for uniform sealing also makes this machine very convenient and adaptable to fluctuations in product demand.

The BEL 180 also comes standard with a DEKKA tape head with tilt-out tape head function for easy and quick tape roll changes. Also, with dual side belts the machine grips the case tightly for a consistent and square seal.

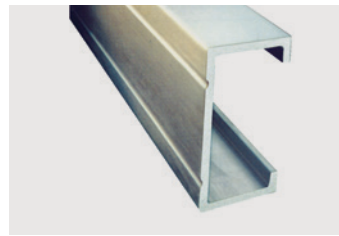


### ABOUT THE BEL 180



#### UNIFORM AND RANDOM MODES

*One touch change between random and uniform modes to enable faster sealing when required.*



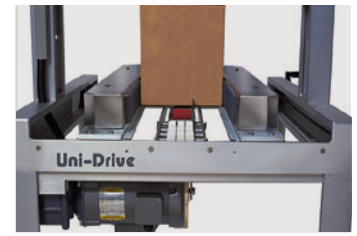
#### LASTING PERFORMANCE

*Corrosion resistant and paint-free construction guards against machine wear and extends machine life.*



#### ON MACHINE INSTRUCTIONS

*User-friendly pictorial guides and color-coded labeling for convenient operation and size changes.*



#### REPEATABILITY AND RELIABILITY

*Wexxar Bel's Uni-Drive system synchronizes both side belts, eliminating case skew, ensuring a square seal even after extended periods of use.*

### COMPLETE SOLUTION

FULLY AUTOMATE YOUR PACKAGING LINE WITH THESE FORMING AND PACKING SOLUTIONS.



#### NESTAFLEX CONVEYOR

*Flexible conveyors which can be manipulated length and shape wise to fit changing and restrictive packaging applications.*



#### ACCUMULATION TABLE

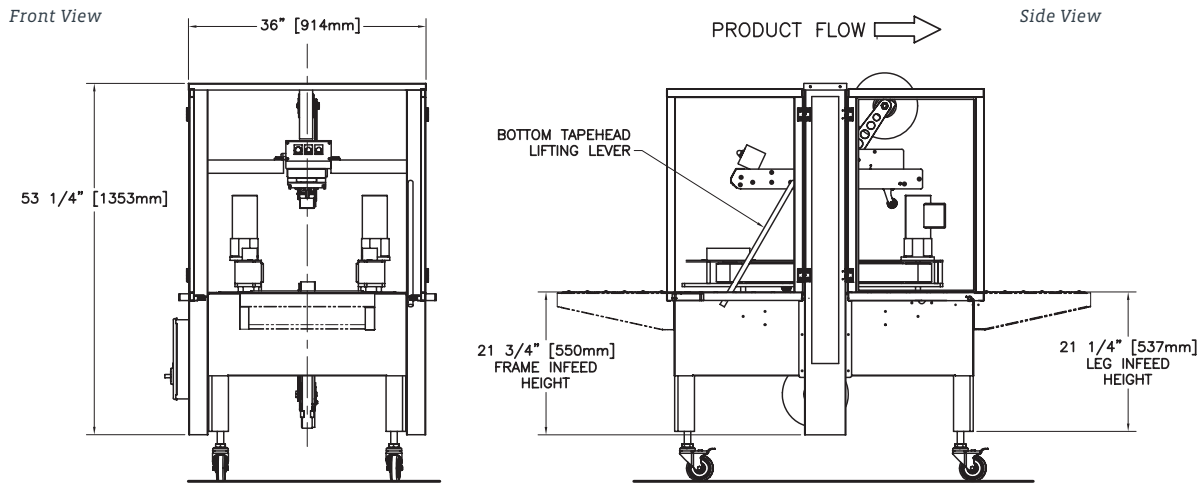
*Ensures product is delivered continuously and ergonomically to the operator. This allows convenient and quick packing as it keeps the product in reach of the operator.*



#### KDF BOX STAND

*One of the most popular accessories for semi-automatic packaging lines. The box stand holds case blanks in a convenient position for quick and ergonomic packing.*

## CONFIGURATION



## FEATURES AND BENEFITS

- Convenient one button push to switch between random and uniform case sealing
- Self-adjusting height and width mechanisms for quick and easy sealing of various case sizes
- Tilt-out tape head feature for quick and easy tape head and tape roll changes
- Built-in safety features that prevent accidental restarts and guard against sudden air loss
- Stainless steel machine frame, arch, electrical enclosure and case transport rollers
- Dual side belts for a tight grip when sealing cases
- Reliable, consistent "no break" tape advance with DEKKA 2" tape heads

## OPTIONAL MODIFICATIONS

- Water Resistant Washdown Upgrades
- Upgrade to Dekka Stainless Steel 2" or 3" Tape head

## OPTIONAL ACCESSORIES

- Locking Casters
- Infeed/Outfeed Table or Conveyor

## PRODUCT SPECIFICATIONS

<b>Machine Weight</b>	500 lbs
<b>Machine Dimensions</b>	47"(L) x 36"(W) x 53.25"(H)
<b>Air</b>	0.3 cubic feet per cycle at 70 p.s.i.
<b>Electrical</b>	120 Volts, 1 PH, 60 Hz - 5 amp draw
<b>Speeds</b>	up to 10 cases

## CASE SIZE RANGE

	LENGTH	WIDTH	HEIGHT
<b>Minimum</b>	6" 152 mm	6" 152 mm	6" 152 mm
<b>Maximum</b>	72" 1829 mm	17" 432 mm	19" 483 mm

Oversize model available. Consult factory for case size ranges.

## INFEED/OUTFEED HEIGHT

<b>Minimum</b>	23.5" (597 mm)
<b>Maximum</b>	30" (762 mm)

Note: Casters add 4" to minimum and maximum height

Specifications are subject to change without notice.

FOR MORE INFORMATION:  
(604) 930-9300 • Wexxar.com



At Wexxar Bel, corrugated container packaging applications are limited only by the imagination. Our Wexxar case formers and case sealers have been installed in nearly 40 countries and consistently bring customers the lowest cost of ownership and the highest standards of safety. Wexxar also offers the BEL line of corrugated box sealers, tapers, and packing systems as well as the IPAK line of tray and bliss formers, stackers, and sealers systems. As part of the ProMach End of Line business line, Wexxar helps our packaging customers protect and grow the reputation and trust of their consumers. ProMach is performance, and the proof is in every package.

13471 Vulcan Way

Richmond, BC, Canada

P: (604) 930-9300

F: (604) 930-9368

E: [Wexxar@ProMachBuilt.com](mailto:Wexxar@ProMachBuilt.com)

[Wexxar.com](http://Wexxar.com)