



 **WEXXAR BEL®**

IPAK TF100

FULLY AUTOMATIC TRAY FORMER

EoL

**END OF
LINE**

IPAK TF100

FULLY AUTOMATIC TRAY FORMER

IPAK TF100 RELIABLE PRECISION TRAY FORMING

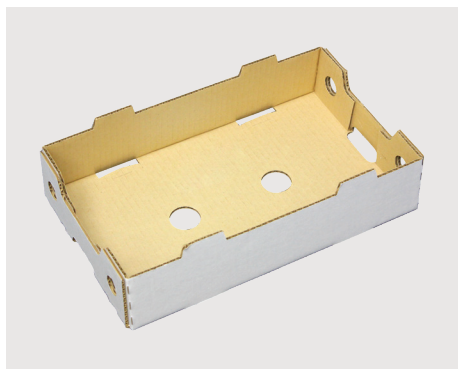
The TF100 utilizes servo motors to produce square trays each time for superior stacking strength and aesthetically perfect trays.

Able to Handle a Wide Range of Tray Sizes at Factory Accepted Speed Requirements

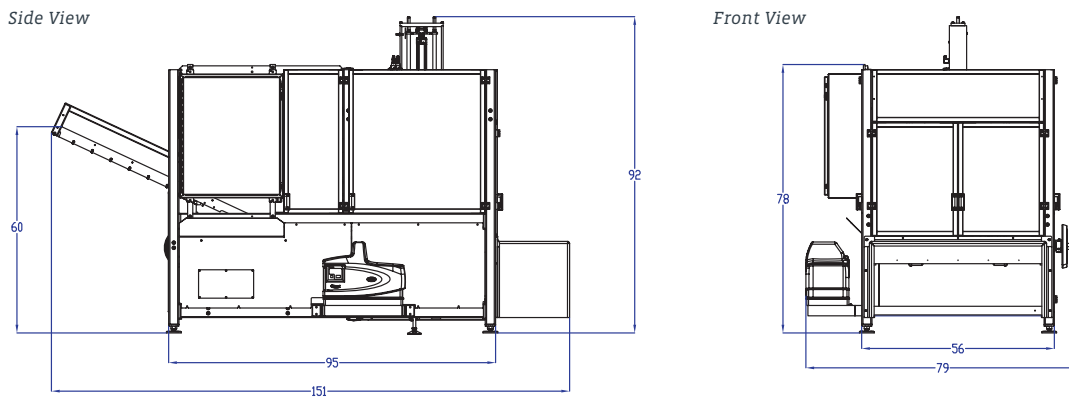
The IPAK TF100 fully automatic tray former is a compact tray forming solution specializing in forming 4-corner trays. It is able to handle a wide range of tray sizes at factory accepted speed requirements. The practicality of the 4-corner tray makes this machine a great fit for industries such as beverage, hygiene, personal care, pharmaceuticals, electronics, processed foods and more. The TF100 utilizes a servo motor and pneumatically actuated blank stops for controlling blank advance and accurately placing the tray directly under the pneumatic mandrel into the compression section. IPAK's active compression technology then forms each tray with minimum crush while creating a tight secure glue bond. Our compression section not only reliably forms each tray well but also ensures lower maintenance costs with less contact and moving parts for years of continuous operation.



SOME EXAMPLES OF 4-CORNER TRAYS FORMED ON THE TF100



CONFIGURATION



STANDARD FEATURES

- Servo motor blank advance
- Independently controlled self-cleaning vacuum pick
- User-friendly touch screen to control and monitor the machine
- Fully interlocked guard doors allow easy and safe machine access during set-up and maintenance
- Tool-less, color-coded size changeover in under 7 minutes with scribed parts, dial indicators and user-friendly on machine pictorial guides
- Text-less instructions/labeling
- Nordson ProBlue hot melt adhesive system

OPTIONAL MODIFICATIONS

- Additional mandrels for different tray sizes
- Modifications for different tray styles
- Modifications for oversized trays
- Enviroguard washdown packages
- Additional guarding packages
- Custom voltages

OPTIONAL ACCESSORIES

- Machine Management with tri-light beacon for tray monitoring
- Outfeed conveyors
- Auxiliary Start/Stop E-Stop panel

MORE ABOUT THE IPAK TF100

The TF100 Series is based on IPAK's ultra-compact 50 x 95 platform, perfect for applications with limited amounts of floor space. Similar to other IPAK products, it comes loaded with many standard features including a user-friendly touch screen, fully interlocked guard doors, EZ-clean powder coat

for quick cleaning and heavy-duty materials for long lasting performance. Size changes can be completed in under 7 minutes with tool-less color-coded handles, scribed parts and dial indicators.

PRODUCT SPECIFICATIONS

Machine Weight	1900 lbs
Machine Dimensions	151"(L) x 79"(W) x 92"(H)
Air	14 scfm at 75 p.s.i.

Electrical	240 Volts, 3 PH, 60 Hz - 18 amp draw
Speeds	up to 40 trays per minute

Specifications are subject to change without notice.



At Wexxar Bel, corrugated container packaging applications are limited only by the imagination. Our Wexxar case formers and case sealers have been installed in nearly 40 countries and consistently bring customers the lowest cost of ownership and the highest standards of safety. Wexxar also offers the BEL line of corrugated box sealers, tapers, and packing systems as well as the IPAK line of tray and bliss formers, stackers, and sealers systems. As part of the ProMach End of Line business line, Wexxar helps our packaging customers protect and grow the reputation and trust of their consumers. ProMach is performance, and the proof is in every package.

13471 Vulcan Way
Richmond, BC V6V 1K4
Canada

E: Wexxar@ProMachBuilt.com
Wexxar.com

P: (604) 930-9300

F: (604) 930-9368