

## LABEL APPLICATORS

### SL1500 Label Applicator

- Stepper driven
- Modular approach
- Digitally controlled
- Multi-level menu system
- Photo-electric label sensing



### SL2000 Label Applicator

- Stepper driven
- High-speed applicator
- Digitally controlled
- Multi-level menu system
- Photo-electric label sensing



### L60 Label Applicator

- Stepper driven
- PLC controlled
- Tamp/tamp-blow
- "Quick change" tamp heads
- Photo-electric label sensing



### L15 Wipe-On Applicator

- Clutch brake driven
- Simple to use analog controls
- Photo-electric label sensing

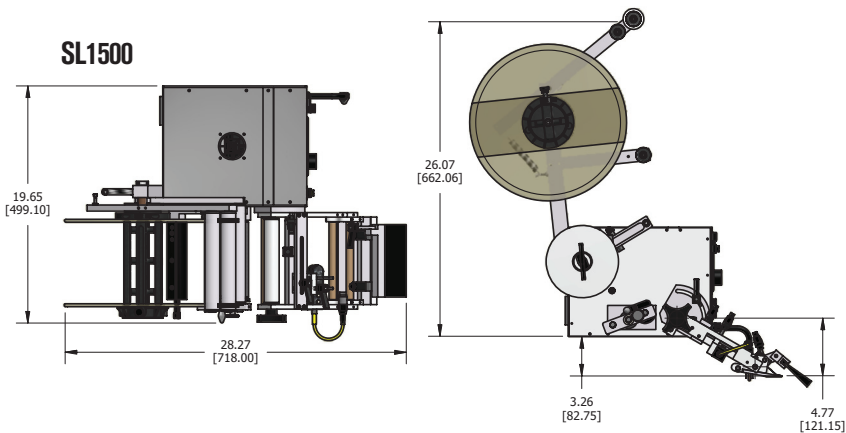


### L30 Wipe-On Applicator

- Clutch brake driven
- Simple to use analog controls
- Photo-electric label sensing

**UNIVERSAL**  
labeling systems

Engineering  
labeling solutions.



## SPECIFICATIONS

### SL1500

- Dimensions: 20"W x 28"D x 26"H
- Label dispense speed: up to 1500" per min.
- Web width: up to 6.375" (standard; 8.125 optional)
- Label roll capacity: up to 12" OD
- Electric: 120 VAC = +/-10%
- Air for tamp version: 40 PSI/80 PSI blow-on

### SL2000

- Dimensions: 19"W x 21"D x 37"H
- Label dispense speed: up to 3000" per min.
- Web width: up to 6.375" (standard; 8.125 optional)
- Label roll capacity: up to 16" OD
- Electric: 120 VAC = +/-10%
- Air for tamp version: 40 PSI/80 PSI blow-on

### L60

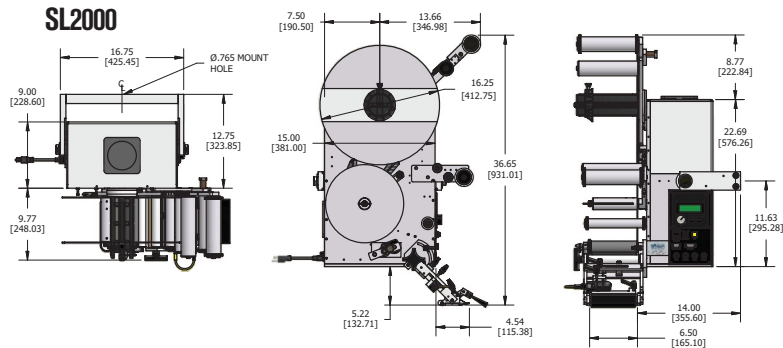
- Dimensions: 21"W x 23"D x 26"H
- Label dispense speed: 529" per min. (fixed)
- Web width: up to 6.5" (standard; 8.125 optional)
- Label roll capacity: up to 12" OD
- Electric: 120 VAC = +/-10%
- 40 PSI tamp/80 PSI blow-on

### L15H

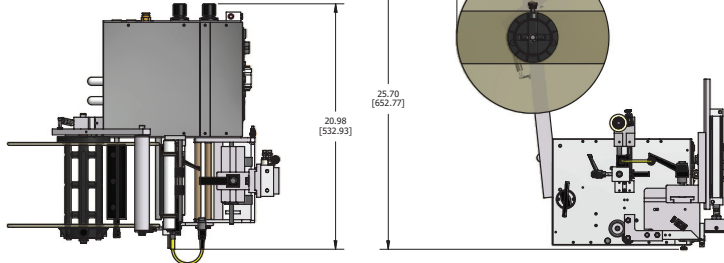
- Dimensions: 20"W x 22"D x 22"H
- Label dispense speed: up to 1200" per min.
- Web width: up to 6.5" (standard)
- Label roll capacity: up to 12" OD
- Electric: 120 VAC = +/-10%

### L30

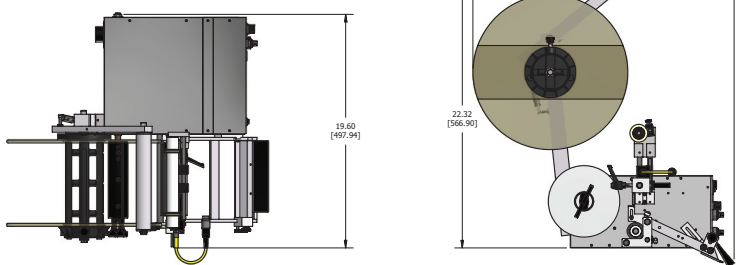
- Dimensions: 16"W x 20"D x 19"H
- Label dispense speed: up to 700" per min.
- Web width: up to 2.125"
- Label roll capacity: up to 10" OD
- Electric: 120 VAC = +/-10%



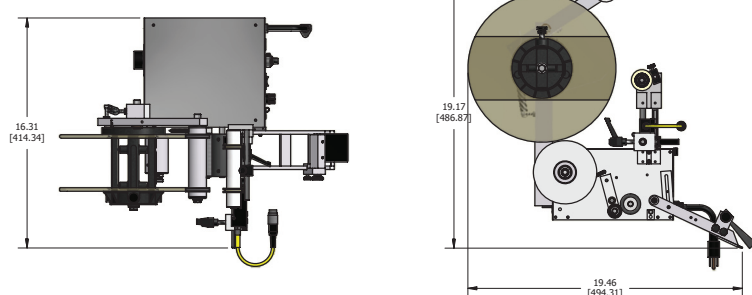
### L60



### L15H



### L30



**UNIVERSAL**  
labeling systems

3501 8th Avenue South • St. Petersburg, FL 33711  
1-877-236-0266  
sales@universal1.com • www.universal1.com