



Dedication, Innovation and Commitment...
...is our way of doing Business.

More than 7,000 machines sold makes Boix Machinery the leading manufacturer of tray erectors, our experience of over 40 years speaks for itself of the quality of build, design and service as well as the variety of our machinery offer tailored to our customer's needs.

Listening to our customers is the only true way to provide the service you deserve. Starting with a concept our design and production teams create a machine adapted to our customer's needs using the best materials, components and control systems available.

All round service excellence is our goal. From the receipt of an order right up to the point of delivery all production processes are controlled by our own highly qualified team of professionals achieving a complete service.

AT BOIX WE TAKE QUALITY VERY SERIOUSLY, A SATISFIED CUSTOMER IS OUR MOST IMPORTANT ASSET

For more information visit www.boix.es



Dedicate our efforts and resources to improve continuously.

Innovate to provide advanced solutions to a constantly changing market.

Commitment to achieve and surpass your expectations.

BOIX MAQUINARIA

Polígono Industrial La Granadina
Manzana 1 calle 5
03349 San Isidro (Alicante) España
Tel: (+34) 966 06 01 00



www.boix.es



QUALITY MAKE A DIFFERENCE.

BOX
FORMING
MACHINE



Q-1600

INNOVATION AND FLEXIBILITY WITHIN YOUR REACH

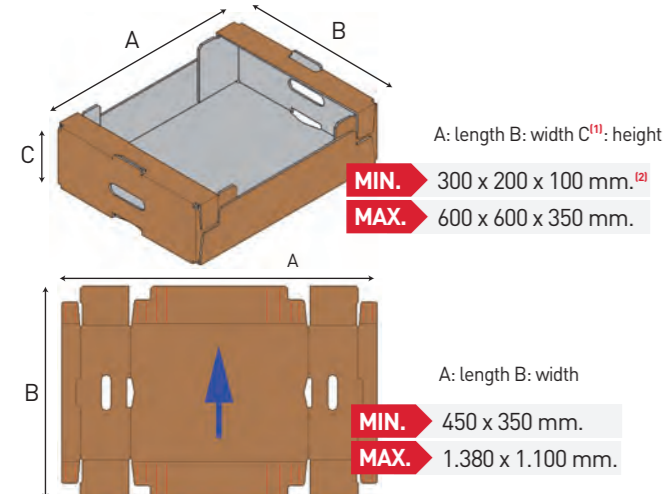
TECHNICAL SPECIFICATIONS

OPERATION	Mechanical, electrical and Pneumatic
GLUE SYSTEM	Hot melt glue injection (Nordson C-15:6)
BOX DESIGN	Plaform, P-84, Citrus Box, C-1, Big Ear and open column
ESTIMATED PRODUCTION	400 to 1.600 boxes/hour (8 speeds)
TOTAL POWER	7 Kw (W/O compressor)
NETT WEIGHT	1.950 Kg
ELECTRICAL SUPPLY	380/220 V (3F+N+T) - 50/60 Hz
CHANGE OF SIZE	10 to 15 min. (height change 1 minute)
CHANGE OF DESIGN	20-40 minutes (Aprox.)
WORKING AIR PRESSURE	7 BAR
AIR CONSUMPTION	250 liters/minute
FRAME	4 mm steel plate
MACHINE DIMENSIONS	L: 4810 mm. W: 2165 mm. H: 2285 mm

MAIN FEATURES

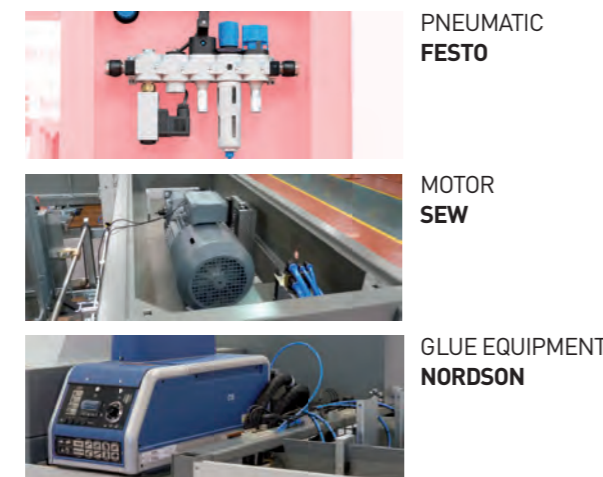
- ➔ Machines with 3 motors, synchronized by encoders working in servo mode, controlling blank feeding, introduction and mandrel action.
- ➔ Blank feeding in done from the rear of the machine.
 - High capacity vertical feeder (1,5 mts.)
 - Vacuum by Venturi.
- ➔ Quick change for boxes with the same base and different heights (1 minute)
- ➔ Easy access to the machine.
 - Overhead doors.
 - Steps not required to load the blanks or the glue.

BOX/BLANK DIMENSIONS



⁽¹⁾ Height and base dimensions will depend on the blank dimension. ⁽²⁾ Boxes under 100 will need the low box kit.

COMPONENTS Q-1600



Q-1600

“ ADAPTED TO YOUR PRODUCTION NEEDS ”



Boix Machinery has the aim of designing and building the machines that satisfy your more exigent production needs.

In the Q-1600 development we have mixed autonomy, production and ergonomoy, the result, a machine that includes: High capacity feeder, the possibility of changing the height of a box in 1 minute, easy access to the machine, etc...

Like the rest of the machine range, the Q-1600 is very flexible, works with different carton thickness, erects multiple box formats, different kits for different boxes, etc... Robust machine with less maintenance, Compatible with the mechanical parts of other Boix machines.

Q-1600 machine can reach to 1.600 boxes per hour, 350 mm high boxes are also possible, depending on the box model and blank dimensions.

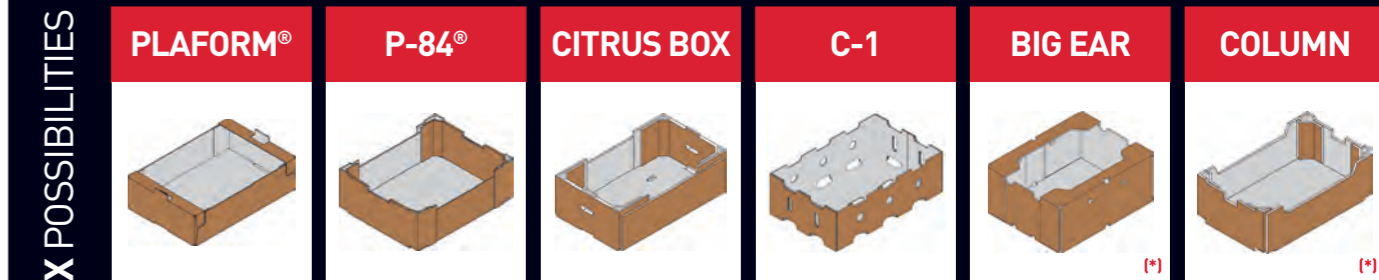
Q-1600
SUCCESS FOR YOUR BUSSINESS



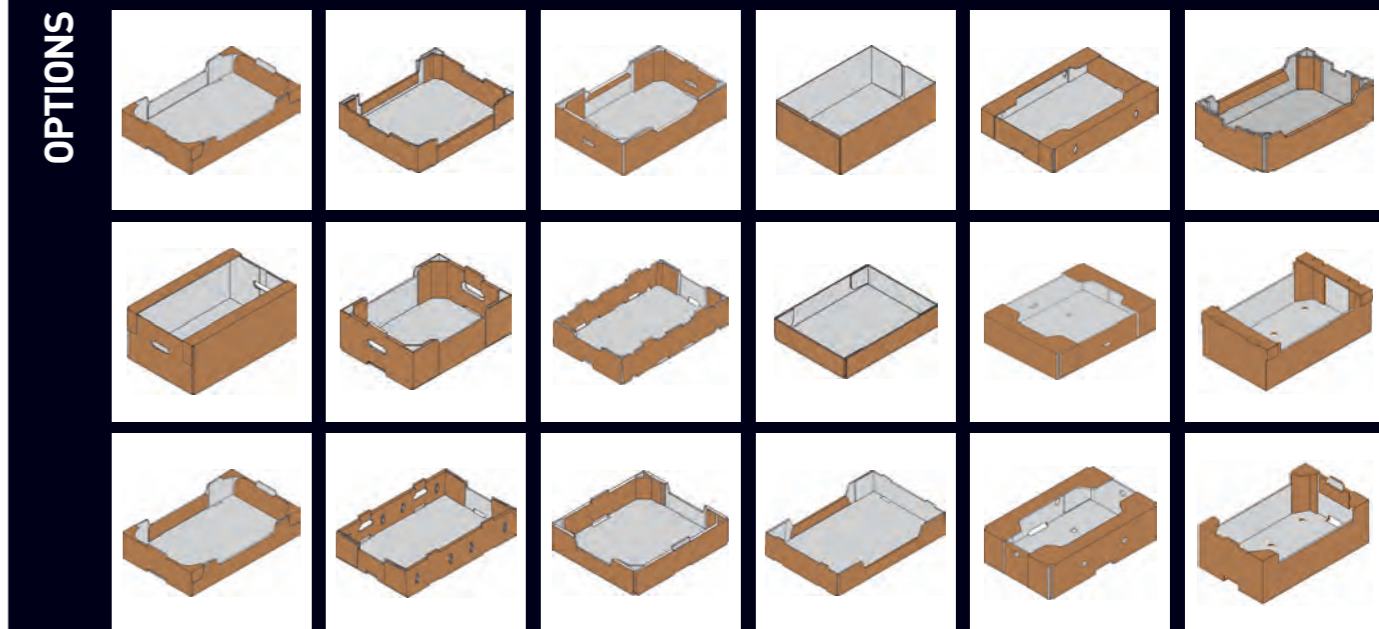
A MULTITUDE OF BOX POSSIBILITIES

POSSIBILITIES OF APPLICATION BY SECTOR

FRUIT AND PRODUCE, FOOD AND DRINK, NON FOOD.



Efficacy: “Success in achieving a given goal”. With a Boix machine efficacy is not an option, it is assured.



KITS

Flexibility: “Designs that can adapt when external changes occur”. Thanks to our system of kits the machine can be adapted easily in order to form different box designs.

