

**QUALITY** MAKE A DIFFERENCE.

TRAY  
ERECTOR



# Q-1500

**INNOVATION AND FLEXIBILITY WITHIN YOUR REACH**

# TECHNICAL SPECIFICATIONS

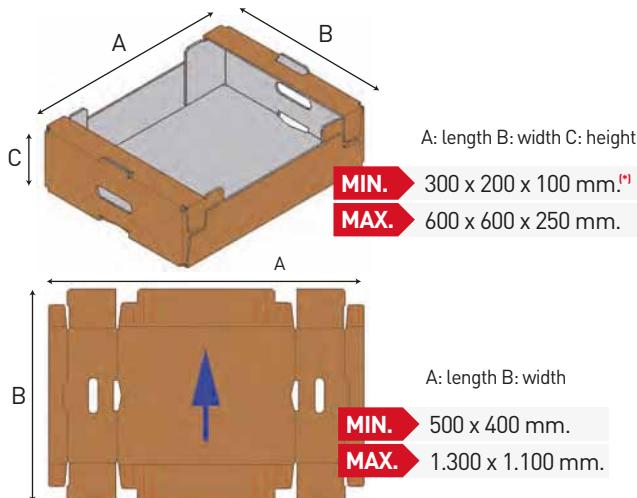
<b>OPERATION</b>	Mechanical, Electrical and Pneumatic
<b>GLUE SYSTEM</b>	By Injection, Hot-Melt (Nordson C-15)
<b>BOX DESIGN</b>	PLAFORM, P-84, CITRUS BOX, C-1, BIG EAR*, COLUMN*
<b>ESTIMATED PRODUCTION</b>	From 1.000 to 1.500 t.p.h. 6 Speeds (at intervals of 100)
<b>TOTAL POWER</b>	6 Kw. (W/O compresor)
<b>NETT WEIGHT</b>	1.500 Kg (W/O compresor)
<b>ELECTRICAL SUPPLY</b>	380/220 V (3F + N + PE) - 50/60 Hz
<b>CHANGE OF SIZE</b>	By handle (10-15 min. approx.)
<b>CHANGE OF DESIGN</b>	20-40 min. approx.
<b>WORKING AIR PRESSURE</b>	6 Bar.
<b>AIR CONSUMPTION</b>	315 L/M (1.500 t/h) + Stacker
<b>FRAME</b>	4 mm Steel Plate
<b>MACHINE DIMENSIONS</b>	L: 2.885 mm. W: 1.700 mm. H: 2.165 mm.

\* Subject to sizes

## MAIN FEATURES

- ➔ **THE PROGRAMMING OF THE MACHINE IS SIMPLE AND USER FRIENDLY VIA A TOUCHSCREEN**
- ➔ **LOADING IS DONE FROM THE REAR**
  - Incorporates a horizontal blank hopper.
  - Blanks pulled down by suction cups with vacuum generated by Venturi valve.
- ➔ **BLANK TRANSPORT IS AUTOMATIC AND USES:**
  - Pusher with chain.
  - Motor with clutch that “slips” in case of jams thus maintaining the zero point of the machine.
  - An Encoder that controls:
    - Blank transport.
    - Glue injection.
    - Generation of vacuum.
    - Stroke of the mandrel.

## BOX/BLANK DIMENSIONS



\* Kit required for shallow boxes

## COMPONENTS Q-1500



PNEUMATIC  
**FESTO**



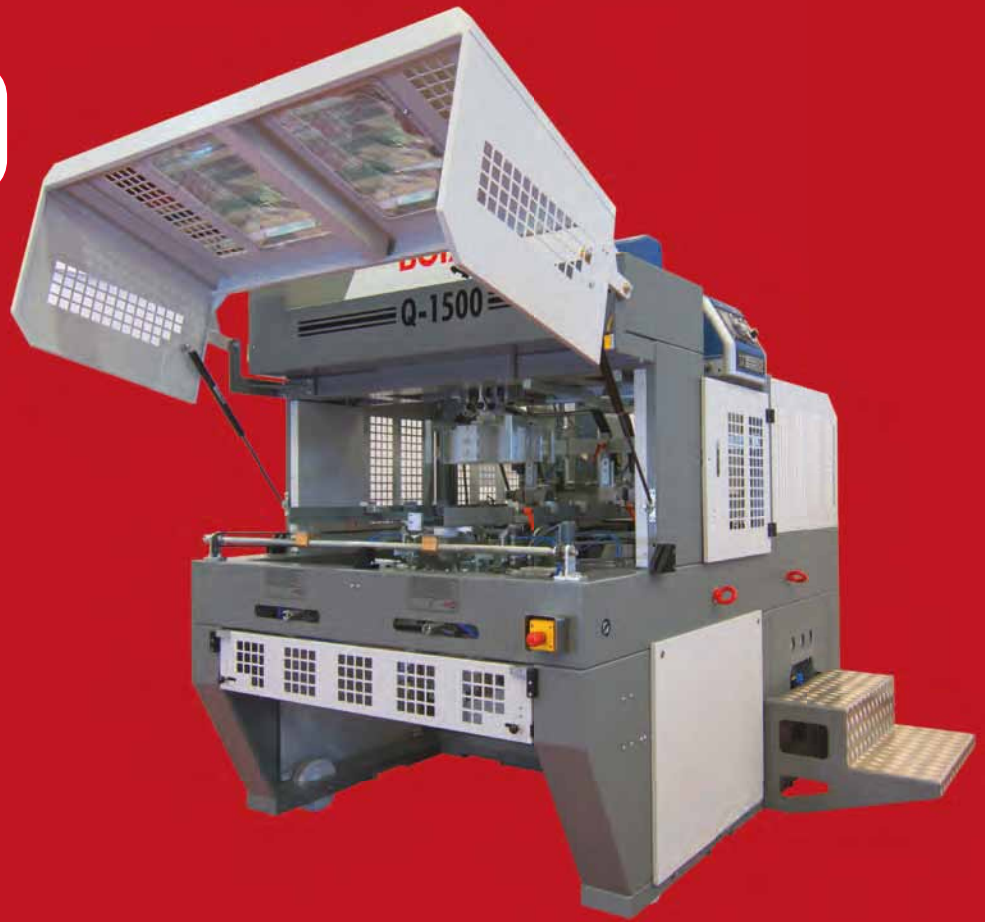
MOTOR  
**SEW**



GLUE EQUIPMENT  
**NORDSON**

# Q-1500

“ A MACHINE  
DESIGNED FOR  
FLEXIBILITY ”

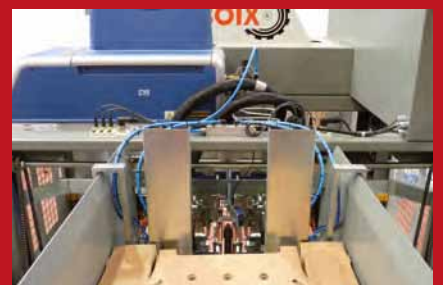


The Q-1500 was designed by Boix in response to our customer's needs in a constantly evolving market.

**By means of special change parts kits the machine can be adapted easily and quickly to various box design formats.**

The **6 speeds at intervals of 100 t.p.h. between 1,000 and 1,500** allow you to optimise your production with a machine that is compact and ergonomic.

In keeping with the rest of the Boix “Quality” range there is a **high level of compatibility between models with tooling and the forming sections being interchangeable.**



**Q-1500**

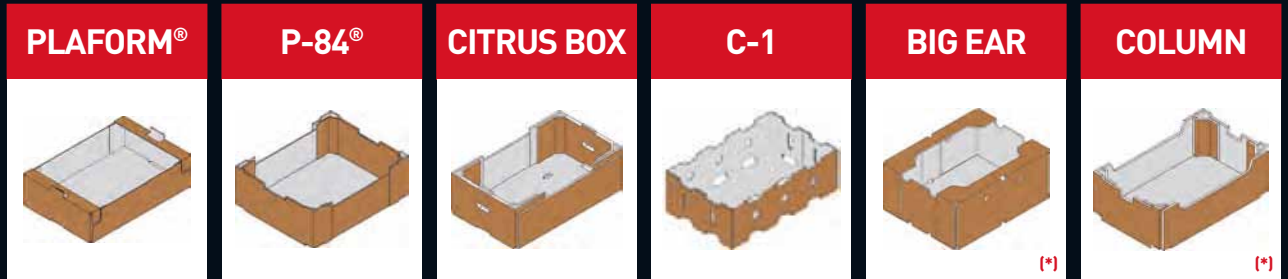
FUNCTIONALITY, FLEXIBILITY AND VALUE



POSSIBILITIES OF APPLICATION BY SECTOR

FRUIT AND PRODUCE,  
FOOD AND DRINK,  
NON FOOD.

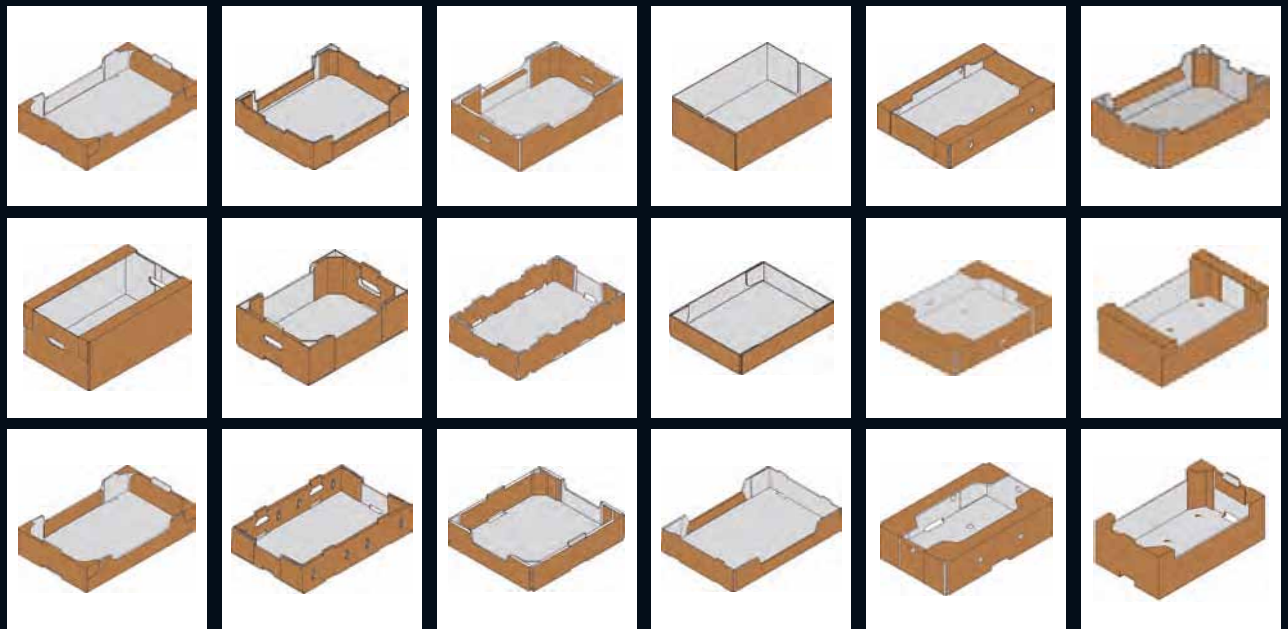
BOX POSSIBILITIES



\* Subject to sizes

**Efficacy:** "Success in achieving a given goal". With a Boix machine efficacy is not an option, it is assured.

OPTIONS



KITS

**Flexibility:** "Designs that can adapt when external changes occur". Thanks to our system of kits the machine can be adapted easily in order to form different box designs.



PLAFORM KIT

P-84 KIT

CITRUS BOX KIT

TAPERED BOX KIT

DOUBLEWALL KIT

COLUMN KIT



## **Dedication, Innovation and Commitment...** **...is our way of doing Business.**

**More than 7,000 machines sold** makes Boix Machinery **the leading manufacturer of tray erectors, our experience of over 40 years** speaks for itself of the quality of build, design and service as well as the variety of our machinery offer tailored to our customer's needs.

**Listening to our customers is the only true way to provide the service you deserve.** Starting with a concept our design and production teams go to work to create a machine adapted to our customer's needs using the best materials, components and control systems available.

**All round service excellence is our goal.** From the receipt of an order right up to the point of delivery **all production processes are controlled by our own highly qualified team of professionals** achieving a complete service.

AT BOIX WE TAKE QUALITY VERY SERIOUSLY, A SATISFIED CUSTOMER IS OUR MOST IMPORTANT ASSET

For more information visit  
[www.boix.es](http://www.boix.es)





**Dedicate** our efforts and the means at our disposal to improving that which can be made better.

**Innovate** to provide advanced solutions to a constantly changing market.

**Commitment** to achieve and surpass your expectations.

#### **BOIX NORTH AMERICA**

12 Greenway Plaza  
Suite 1100  
Houston, Texas, 77046  
Tel: (713) 491 2820  
sales@boix.us



[www.boix.es](http://www.boix.es)

