



Thermo Scientific Xpert S400
X-Ray Inspection System

- Detects foreign objects
- Verifies product integrity
- Designed to utilize existing conveyor
- Simplified, fast installation

high performance contaminant

detection and product inspection
for upright/tall products like cans,
bottles and pouches

The Thermo Scientific Xpert S400 side shoot x-ray inspection system offers many of the same capabilities as the POWERx S family in a lower power, easier to use and more cost effective design. It comes standard with a wide x-ray beam and detector and is available in straight or curtainless chicane line configurations.

Thermo Scientific Xpert S400 X-Ray Inspection System

Application and X-Ray Specifications

X-Ray Power	80 kV, 4 mA (320W)
Detector Scan Rate	Up to 2800 lines/second
Detector Resolution	0.8mm standard, 0.4mm optional
Detection Areas	Bottom, Sides, Body and Top
Detection Algorithms Available	Binary thresholds (several types) and 1D/2D Contrast
Inspection Algorithms Available	Gross underfill, general cap/bent can detection and other customizations
Aperture Width and Height	See beam coverage drawing . Wide aperture model available (275 mm/10.8 in).
Belt Speed Range	5m/min to 80m/min (16ft/min to 263ft/min), built-in VFD optional to control conveyor speed
Conveyor Heights Available (conveyor optional)	750mm to 1050mm (29.5in to 41.3in)
Minimum Product Gap	10mm (0.4in), required for x-ray acquisition and accurate rejection
System Length	1.8 m (5.9 ft) straight configuration with curtains, 3.1 m (10.2 ft) chicane configuration no curtains
X-Ray Curtain Material	Proprietary no-lead material
Safety/Security Features	X-ray power key, emergency stops, radiation curtains, LED X-ray imminent/on lights, all doors equipped with magnetic interlocks
Human Machine Interface (HMI)	15-inch diagonal touchscreen with protective cover
Interface Languages Available	English, Spanish, Italian, French, German, Chinese; Others available on request

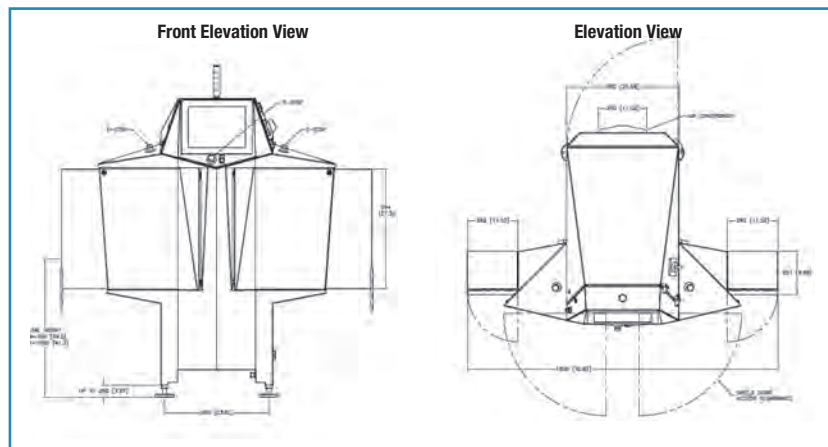
Environmental, Electrical and Operational Specifications

Operating Temperature	+5°C to +40°C (+41°F to +104°F)
Machine Cooling	Built-in 2560 BTU (750 W) cabinet airconditioner
Relative Humidity	20% to 90% non-condensing
Electrical Input	190 to 240 VAC, 50/60 Hz, 20-amp service
Digital Outputs	4 available (one reserved for a rejection device)
Digital Inputs	6 available (two reserved for photoeyes, one for an encoder)
USB Port	2.0, watertight port on outside of machine
Network Port	Ethernet
Compressed Air (for rejection devices)	80 psi to 100 psi (5.5 bar to 6.9 bar)
Machine Weight (standard model with straight shields)	850 kg (1870 lbs)

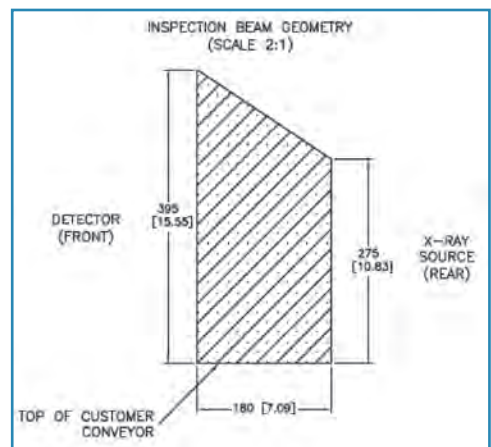
Conformance Tests and Certifications

Radiation Safety Conformance	FDA CFR 21 part 1020.40, UK IRR 1999, RED act (contact factory for other regional certifications)
Export/Safety	CE, UL or CSA 508A on request (verified by ETL)
Intrusion Protection Rating	IP 54 or IP65

Thermo Scientific™ Xpert S400 X-Ray Inspection System Dimensions (straight configuration shown, contact Thermo Fisher Scientific regarding chicane configuration)



X-Ray Inspection System Beam Geometry (optional wide aperture 275 mm/10.8 in)



thermofisher.com/Xpert

© 2016 Thermo Fisher Scientific Inc. All rights reserved. All trademarks are the property of Thermo Fisher Scientific Inc. and its subsidiaries. Specifications, terms and pricing are subject to change. Not all products are available in all countries. Please consult your local sales representative for details.

US and Canada 800 227 8891
Australia/NZ +1300 735 292
Mexico +52 55 5639 2184
Argentina +54 11 4334 3827
Chile +56 22 2378 5080

India +91 20 6626 7000
Italy +39 0 5217 8861
France +33 (0) 16 092 4800
Germany +49 (0) 20 882 4930
Spain +34 (0) 91 484 5965

UK +44 (0) 17 8882 0300
Netherlands +31 (0) 76 579 5555
South Africa +27 11 776 0000
China 800 810 5118
Brazil +55 11 2730 3261
Southeast Asia +65 6499 9981

Email: sales.packaging.us@thermofisher.com

Thermo
SCIENTIFIC

A Thermo Fisher Scientific Brand